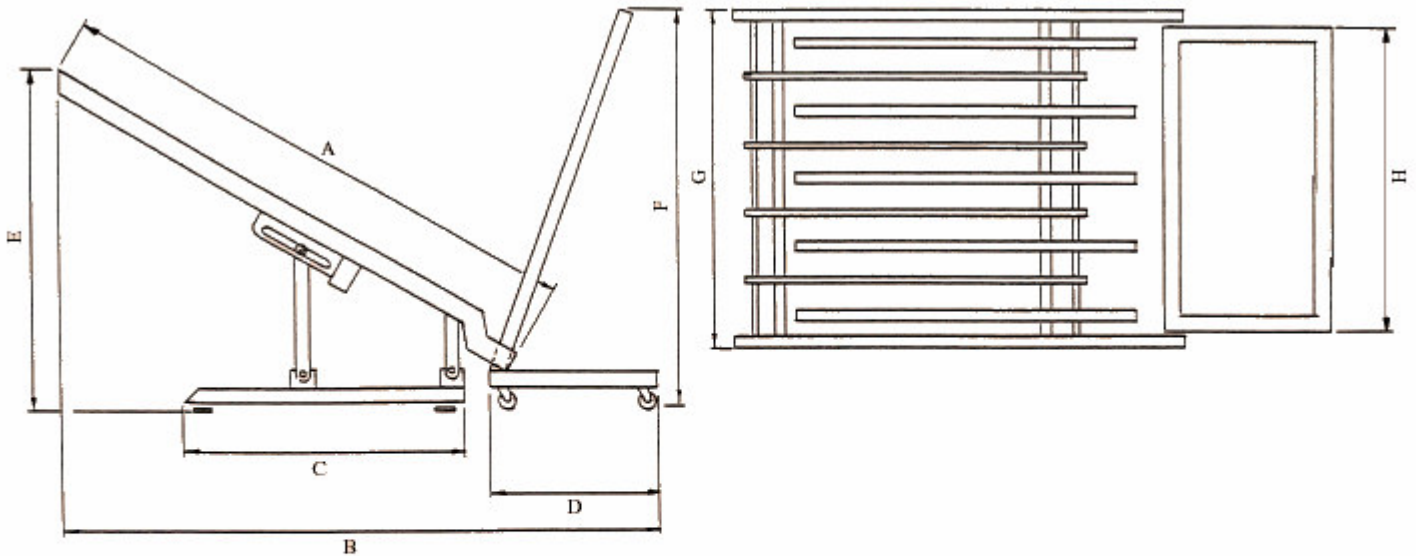




# Plate Stacker



Mod.	a (mm)	b (mm)	c (mm)	d (mm)	e (mm)	f (mm)	g (mm)	h (mm)
Spider 105	1.400	1.650	800	500	880 ± 100	1.450	1.110	1.045
Spider 125	1.570	1.950	800	600	880 ± 100	1.555	1.300	1.235
Spider 160	1.930	2.370	950	650	880 ± 100	1.700	1.660	1.595
Spider 160 XL	2.230	2.700	1.150	650	880 ± 100	2.000	1.660	1.595

220 V - Monofase	1 Amp	50/60 Hz	220 V Single Phase	1 Amp	50/60 Hz
------------------	-------	----------	--------------------	-------	----------